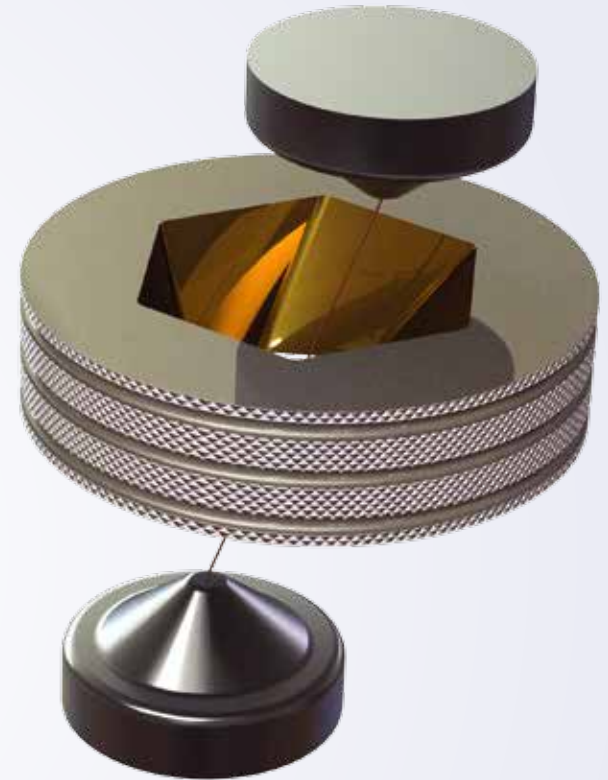
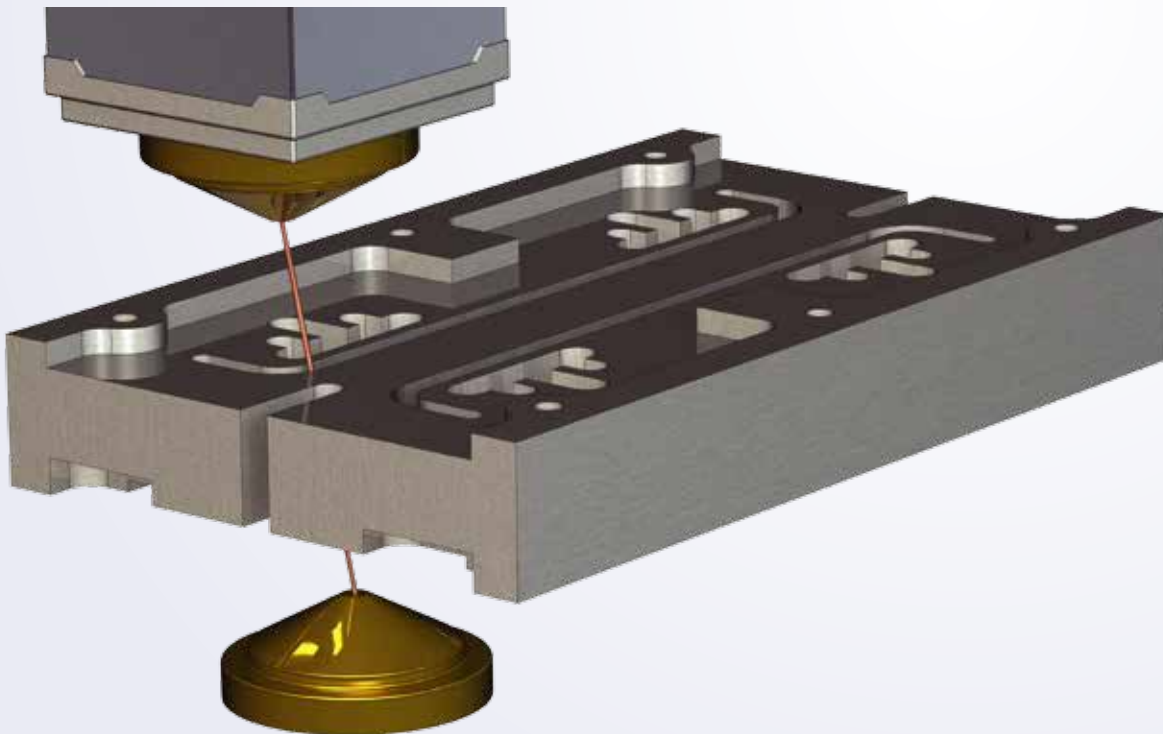


- **CAMWorks Wire EDM** is designed and developed specifically for 2 and 4 axis Wire EDM programming - resulting in a more intuitive, automatic, and efficient method of generating EDM toolpaths and machine code.
- **Automatic Feature Recognition (AFR)** automatically recognizes punch, die and profile EDM features on native SolidWorks part models or on solid models imported via STEP, IGES, SAT, etc. Feature based machining reduces programming time by as much as 90% compared to traditional CAM software.
- **Interactive Feature Recognition (IFR)** provides an

intuitive and easy to use interface for defining 4 axis geometry. Sync curves can be defined automatically or interactively.

- **2 and 4 Axis Support** for punch, die and profile operations. Operations automatically generate rough, tab, and skim cuts on 2 Axis and 4 Axis features.
- **Knowledge-based machining** allows you to capture and reuse your programmers' and machinists' best practices using the patented TechDB (Technology Database). The TechDB reduces programming time by as much as 80% and provides a company owned database to store employee knowledge and skill.



- **Full model to toolpath associativity** updates the toolpaths automatically to design changes made to the part model.
- **Seamless integration** inside of SolidWorks means that the design model and CAM model are one in the same and a similar interface with the same intuitive menus, toolbars and view manipulation, allows users to quickly master the software.
- **Automatically generate land and taper toolpaths.**
- **Cutting Conditions Database** Optional cutting

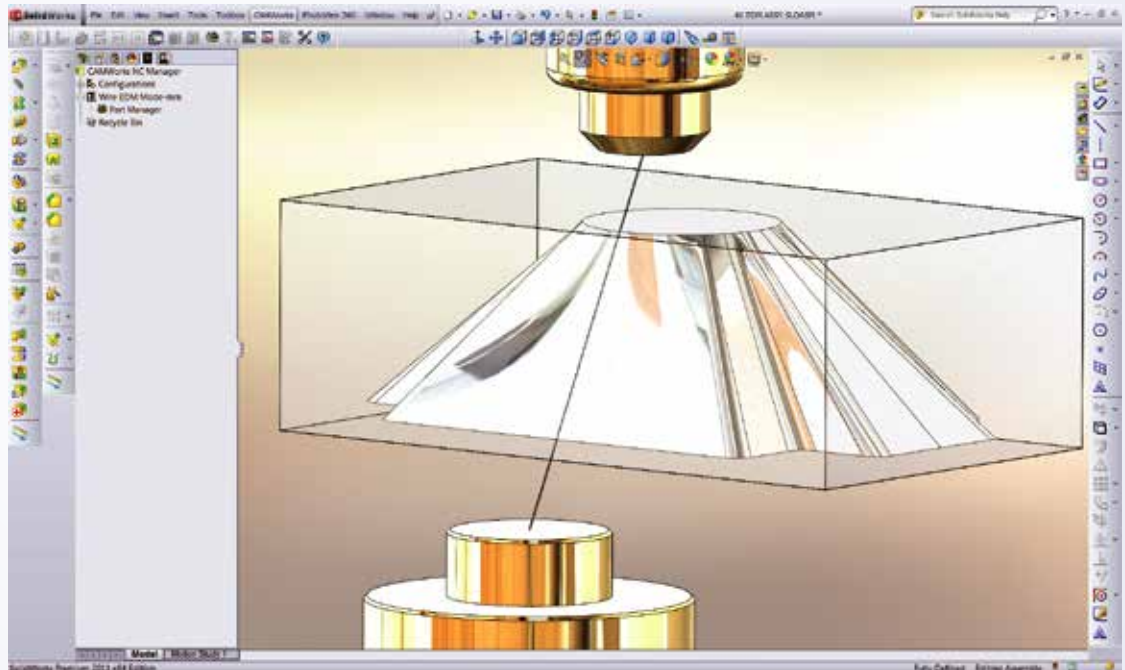


conditions database is associated to the post processor for applicable machine makes and models. The default data is based on information from the machine tool manufacturer and can be modified. Edit cutting conditions for the current operation and optionally save parameters permanently in the cutting

conditions database.

- **Stock Definition**-EDM stock shapes can be defined as a part bounding box, as an extruded SolidWorks sketch, or using an STL file.
- **Simulation and validation** allow you to easily and accurately step through or continuously simulate the

entire machining order showing the wire and wire guides. A model compare feature is also included, to accurately compare the machined model to the design model to validate program accuracy, so you can be sure you'll cut it right the first time!



About Geometric

Geometric is a specialist in the domain of engineering solutions, services and technologies. Its Geometry Technology Solutions (GTS) business unit develops cutting-edge point productivity solutions that enhance design and improve manufacturing operations. The end-user products from Geometric include CAMWorks[®], eDrawings[®] Publisher, DFMPPro, GeomCaliper[®], 3DPaintBrush[™], CAMWorksXpress[®] and Glovius[®]. The key technologies from Geometric are NestLib[®], Feature Recognition (FR), GeomDiff and 3DSearchIT[®]. Geometric licenses these technologies to OEM partners and also designs and implements customized process solutions using these technologies for industrial customers.

For further details about Geometric's GTS business unit, please visit www.geometricglobal.com/products or call +1.480.367.0132

The copyrights/trademarks of all products referenced herein, are held by their respective companies.

CAMWorks

To know more about this solution:
email: inquiries@camworks.com
Website: www.camworks.com